

PARTS MANUAL

MODEL

GB150

STYLE

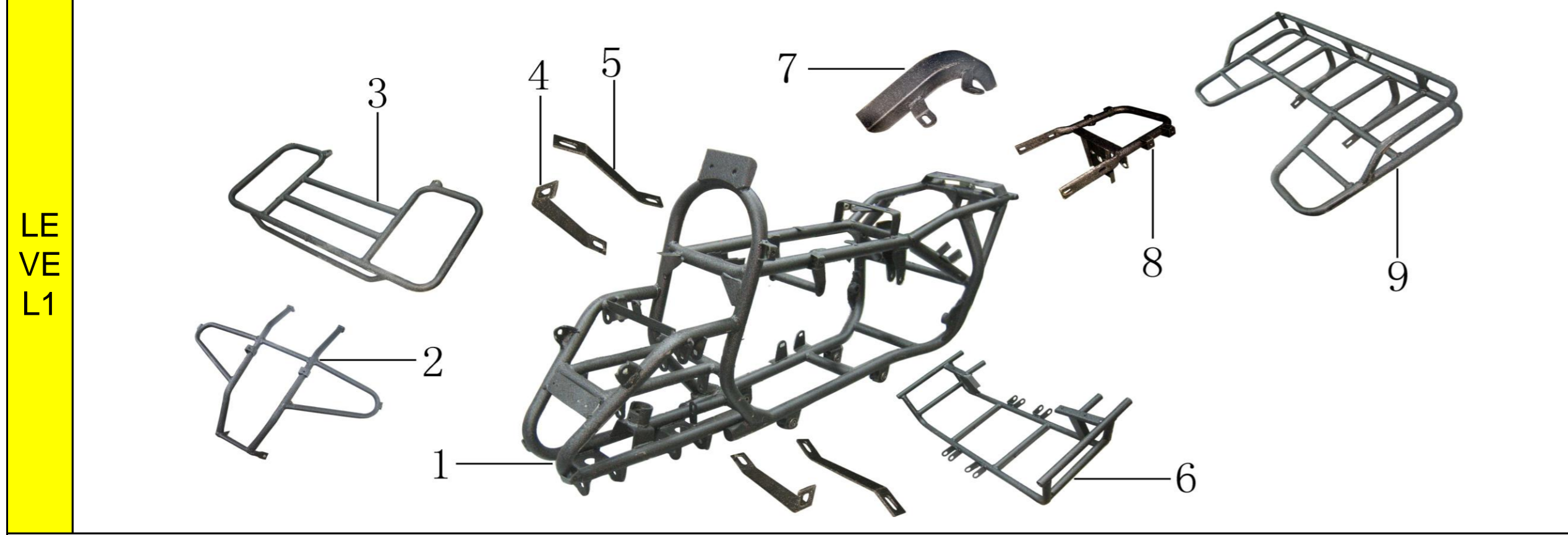
UTILITY HUMMER



PARTS SYSTEM

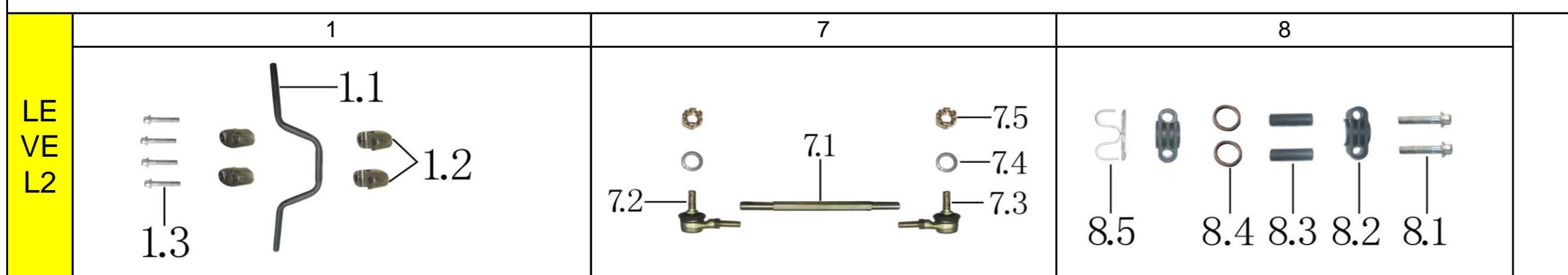
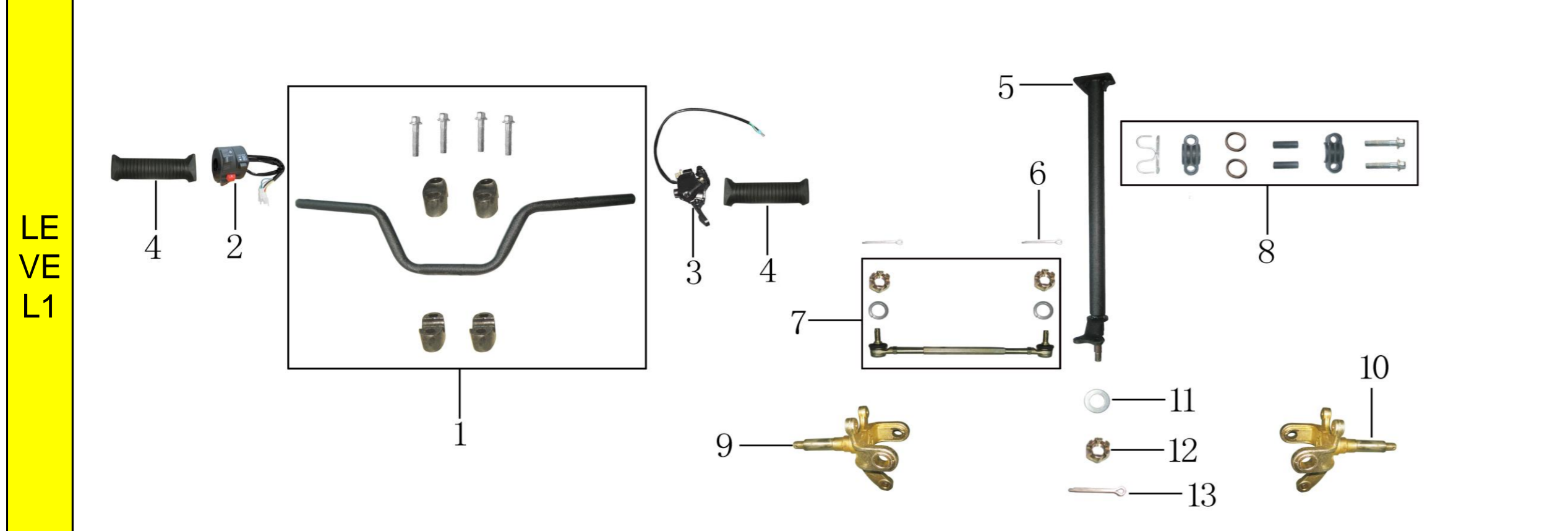
<p>1 FRAME SYSTEM</p>	<p>2 STEERING SYSTEM</p>	<p>3 SUSPENSION SYSTEM</p>
<p>4 ELECTRIC SYSTEM</p>	<p>5 TRANSMISSION SYSTEM</p>	<p>6 FUEL TANK</p>
<p>7 REAR AXLE</p>	<p>8 BODY KITS</p>	<p>9 WHEEL COMPLETE</p>
<p>10 HYDRAULIC BRAKE</p>		

1.FRAME SYSTEM



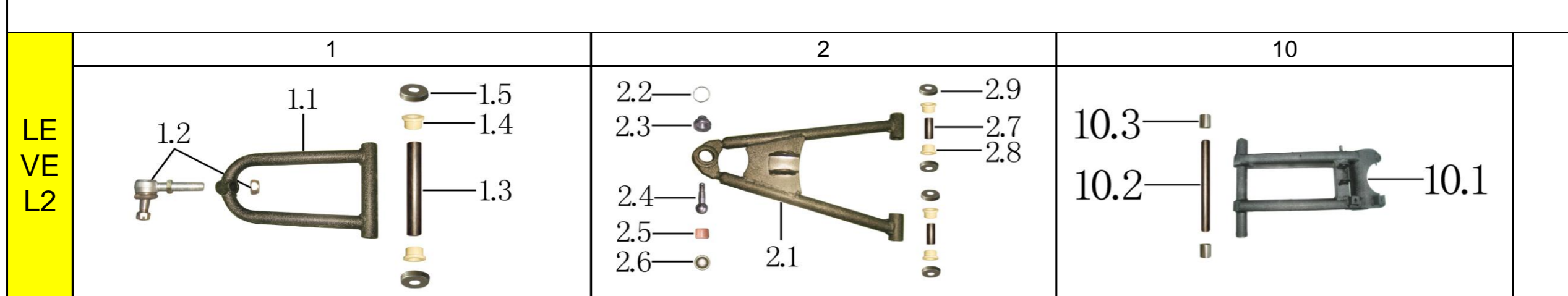
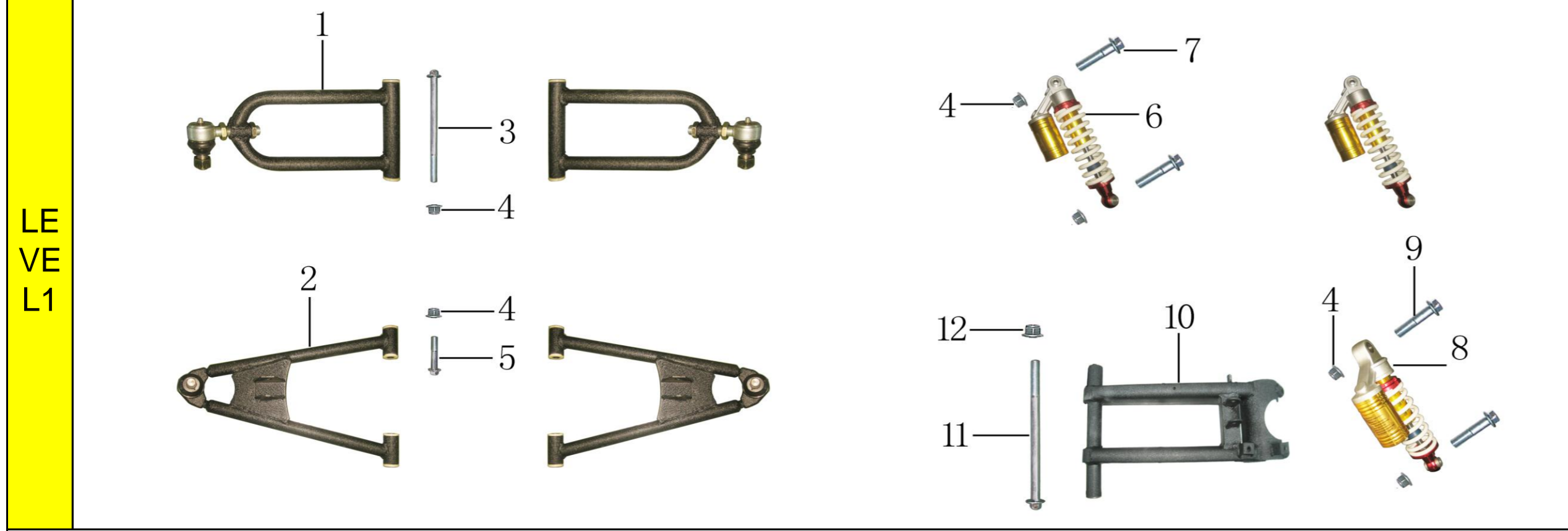
REF NO.	level 1 NO.	PART NO.	DESCRIPTION	REMARK	QTY	level 2 NO.	PART NO.	DESCRIPTION	REMARK	QTY
1	1	GB000B10000001	FRAME	车架	1					
2	2	GB000F31000000	BUMPER	前保险杠	1					
3	3	GB000F31000001	FRONT RACK	前货架	1					
4	4	GB000F33000000	FRONT RACK BRACKET	前货架支架	2					
5	5	GB000B44000001	FRONT COVER BRACKET	前体塑料件支架	2					
6	6	GB000F13000000	FOOTREST BRACKET	脚踏板支架	1					
7	7	GB000F32000002	CHAIN COVER	挡链罩	1					
8	8	GB000B24000000	REAR BRACKET	尾架	1					
9	9	GB000F31000002	REAR RACK	后货架	1					

2.STEERING SYSTEM



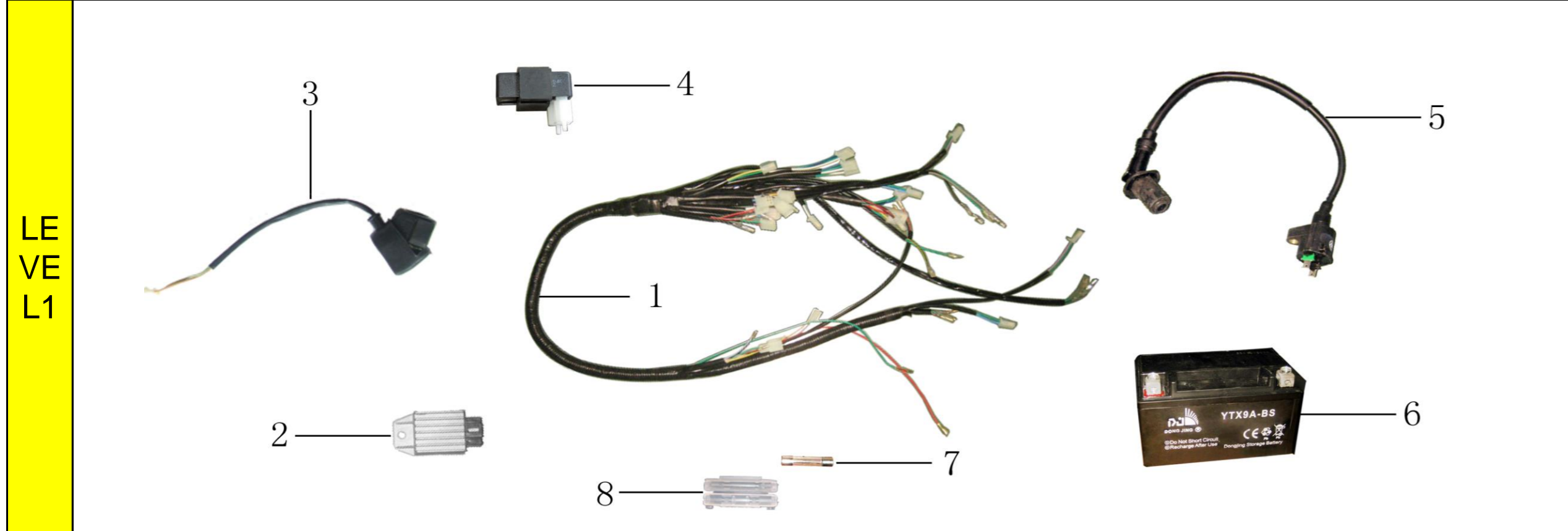
REF NO.	level 1 NO.	PART NO.	DESCRIPTION	REMARK	QTY	level 2 NO.	PART NO.	DESCRIPTION	REMARK	QTY
1	1	GB000C10000000	HANDLE BAR ASSY	把手管组件	1	1.1	GB000C11000000	HANDLE	把手管	1
2						1.2	YS000C22000000	HANDLE FIXER	把手管固定块	4
3						1.3	G587M08L60D88ZS0	BOLT M8*60	六角法兰面螺栓B级	4
4	2	GB000D71000000	STARTING SWITCH	左组合开关	1					
5	3	TE000E81000000	THROTTLE CONTROL	加油器	1					
6	4	SA000C15000000	HAND GRIP	把手套	2					
7	5	GB000C31000000	STEERING POLE	方向柱	1					
8	6	G117D2P5L032ZS0	COTTER PIN d2.5*32	开口销	4					
9						7.1	GB000C32000000	TIE-ROD	转向拉杆主体	1
10						7.2	GB000C33000000	LINK KNUCKLEI	转向拉杆球头(正丝)	1
11	7	GB000C32000001	STEERING LINK L260	转向拉杆组件	1	7.3	GB000C33000001	LINK KNUCKLEII	转向拉杆球头(反丝)	1
12						7.4	G093M10S26B26000	WASHER d10	弹簧垫圈	2
13						7.5	G181M10D08ZG0	NUT M10	六角开槽螺母	2
14						8.1	G587M08L55D88ZS0	BOLT M8*55	六角法兰面螺栓B级	2
15						8.2	SB000C22000000	CLIP	方向柱固定块	2
16	8	GB000C26000000	STEERING CLIP ASSY	方向柱固定件	1	8.3	SG000P11000000	STEERING BUSH d10.3*D14*L42	金属衬套	2
17						8.4	G521D30P0B3P55	WINDTIGHT RING	O形密封圈	2
18						8.5	SB000C33000000	WIRING CLIP	方向柱线卡	1
19										
20	9	GB000C41000000	STEERING KNUCKLE(LF)	左转向节	1					
21	10	GB000C41000001	STEERING KNUCKLE(RH)	右转向节	1					
22	11	G971M14D28H25ZS0	WASHER d14	平垫圈	1					
23	12	G181M14E08ZG0	BOLT M14	六角开槽螺母	1					
24	13	G117D2P5L032ZS0	COTTER PIN	开口销	1					

3.SUSPENSION SYSTEM



REF NO.	level 1 NO.	PART NO.	DESCRIPTION	REMARK	QTY	level 2 NO.	PART NO.	DESCRIPTION	REMARK	QTY
1	1	GB000N10000003	UPPER A-ARM ASSY	前上摇架组件	2	1.1	GB000N10000000	FRONT UPPER A-ARM	前上摇架	1
2						1.2	GB000N10000001	UPPER A-ARM KNUCKLE	上摇架可调球头	1
3						1.3	GB000P11YB0000	METAL BUSH d10.3*d14*L167	金属隔套	1
4						1.4	GB000P22000000	A-ARM PLUG	非金属台阶隔套	2
5						1.5	GB000N16000000	A-ARM COVER	摇架防尘盖	2
6	2	GB000N10000004	LOWER A-ARM ASSY	前下摇架组件	2	2.1	GB000N10000002	LOWER A-ARM(LEFT)	前下摇架	1
7						2.2	GB000N15000002	ARM KNUCKLE RUBBER CLIP	前摇架球头防尘套卡簧	1
8						2.3	GB000N15000001	ARM KNUCKLE RUBBER	前摇架球头防尘套	1
9						2.4	GB000N15000000	LOWER A-ARM KNUCKLE	下摇架球头	1
10						2.5	GB000N15000003	ARM KNUCKLE BUSH	前球头缓冲套	1
11						2.6	GB000N15000004	ARM KNUCKLE COVER	前摇架球头限位盖	1
12	3	G587M10L190D88ZS0	BOLT M10*190	六角法兰面螺栓B级	2					
13	4	Q141M10D08ZS0	NUT M10	六角法兰面自锁螺母	12					
14	5	G587M10L80D88ZS0	BOLT M10*80	六角法兰面螺栓B级	4					
15	6	GB000N31000000	REAR SHOCK L305	前减震器	2					
16	7	G587M10L45D88ZS0	BOLT M10*45	六角法兰面螺栓B级	4					
17	8	GB000N31000002	REAR SHOCK L270	后减震器	1					
18	9	G587M10L55D88ZS0	BOLT M10*55	六角法兰面螺栓B级	2					
19	10	GB000N20000001	REAR SWING ARM	后平叉	1					
20	11	G587M08L95D88ZS0	BOLT M8*95	六角法兰面螺栓B级	1					
21	12	Q141M08D08ZS0	NUT M8	六角法兰面自锁螺母	1					

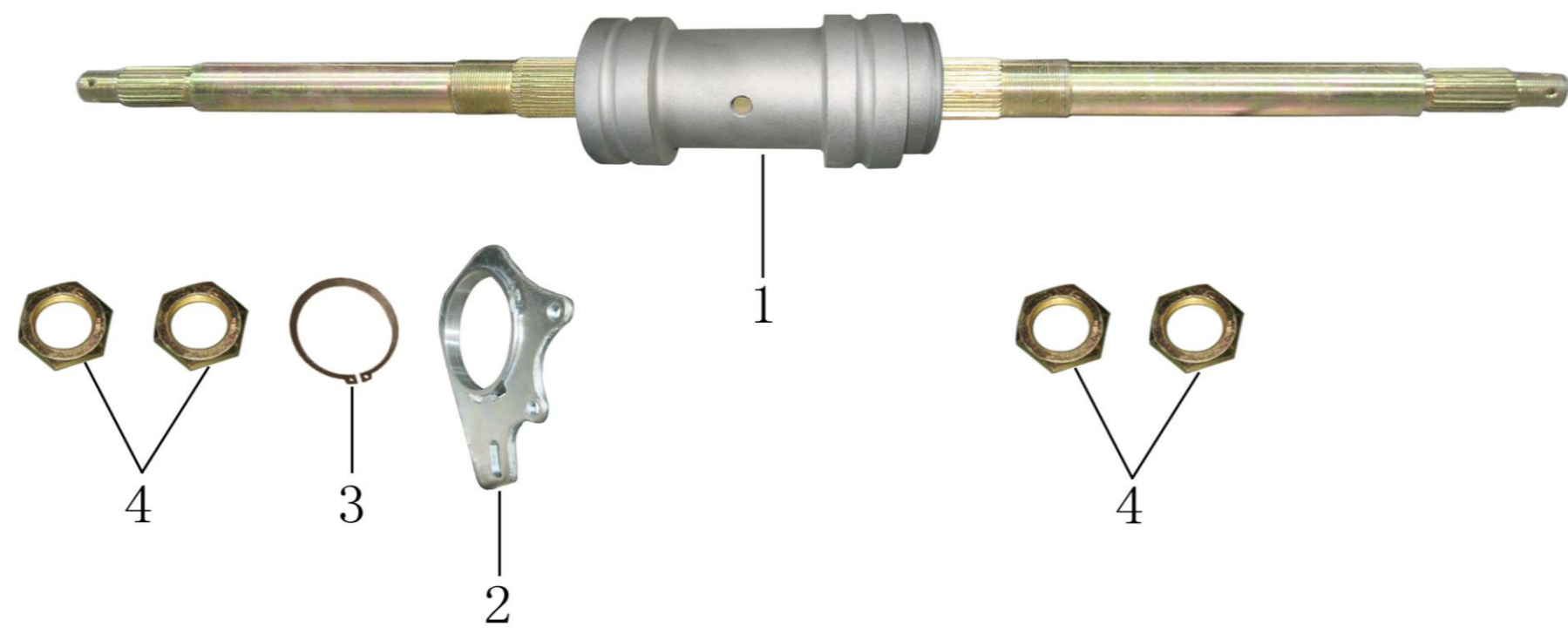
4.ELECTRIC SYSTEM



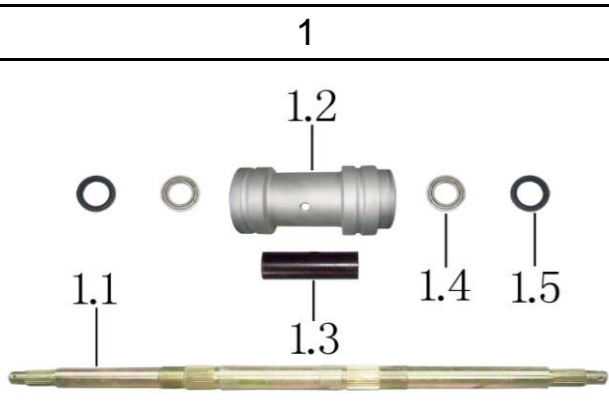
REF NO.	level 1 NO.	PART NO.	DESCRIPTION	REMARK	QTY	level 2 NO.	PART NO.	DESCRIPTION	REMARK	QTY
1	1	GB000D11000000	WIRE HARNESS	主电缆	1					
2	2	SL000D44000000	REGULATOR	整流器	1					
3	3	SB000D43000000	STARTER RELAY	继电器	1					
4	4	SL000D41000000	C.D.I	点火器	1					
5	5	SL000D42000000	IGNITION COIL	高压包	1					
6	6	ZAG00D61000000	BATTERY	蓄电池	1					
7	7	SB000D22000000	FUSE	保险丝	1					
8	8	SB000D22000001	FUSE BOX	保险丝盒	1					

7.REAR AXLE

LE
VE
L1



LE
VE
L2



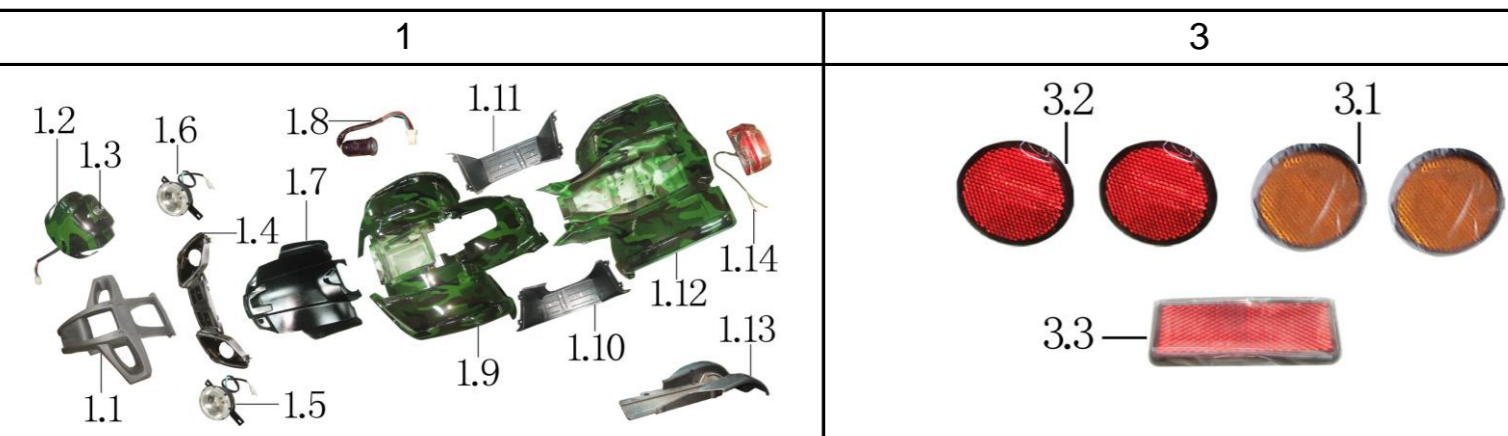
REF NO.	level 1 NO.	PART NO.	DESCRIPTION	REMARK	QTY	level 2 NO.	PART NO.	DESCRIPTION	REMARK	QTY
1	1	GB000M500000002	REAR AXLE ASSY	后桥总成组件	1	1.1	GB000M100000003	REAR AXLE L800	后桥传动轮轴	1
2						1.2	GB000M500000001	REAR AXLE CONNECTION ROD	后桥铸件	1
3						1.3	GB000P11YB00004	METAL BUSH d36*D42*L129	金属隔套	1
4						1.4	G276AS6007	BEARING 6007Z	深沟球轴承	2
5						1.5	G871D040D062B08	OIL SEAL 40*62*8	油封	2
6	2	GB000M850000002	REAR CALIPER BRACKET	后盘式制动器固定支架	1					
7	3	GB000M850000003	REAR CALIPER BRACKET CLIP	后盘式制动器固定支架卡簧	1					
8	4	GB000P41ZG000000	NUT	六角螺母	4					

8.BODY KITS

LE
VE
L1

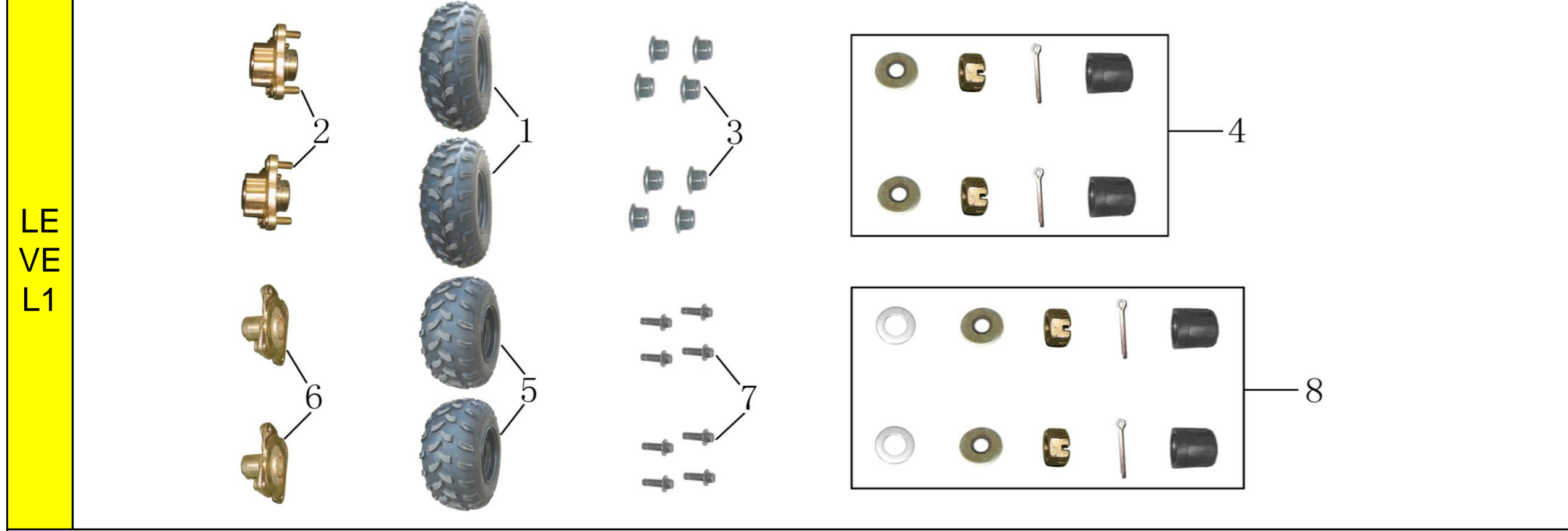


LE
VE
L2



REF NO.	level 1 NO.	PART NO.	DESCRIPTION	REMARK	QTY	level 2 NO.	PART NO.	DESCRIPTION	REMARK	QTY
2	1	GB000L100000000	BODY KITS	塑料件组件	1	1.1	GB000L110000000	FRONT BUMPER COVER	前保险杠塑料件	1
3						1.2	GB000L190000000	GEAR LIGHT COVER	档位灯灯罩	1
4						1.3	GB000G300000000	GEAR INDICATION	档位指示灯	1
5						1.4	GB000L110000002	HEADLIGHT COVER	前照灯塑料件	1
6						1.5	GB000G110000000	LEFT FRONT LIGHT	前左大灯	1
7						1.6	GB000G110000001	RIGHT FRONT LIGHT	前右大灯	1
8						1.7	GB000L110000003	FRONT COVER	前面板塑料件	1
9						1.8	YS000D310000000	IGNITION AND KEYS	电门锁	1
10						1.9	GB000L110000001	TANK BODY PLASTIC	前体塑料件	1
11						1.10	GB000L130000000	FOOT PEG (LEFT)	左脚踏板塑料件	1
12						1.11	GB000L140000000	FOOT PEG (RIGHT)	右脚踏板塑料件	1
13						1.12	GB000L120000000	REAR COVER	后体塑料件	1
14						1.13	GB000F320000003	CHAIN SHIELD	链条护托	1
15						1.14	GB000G220000000	REAR LIGHTS	尾灯	1
18	2	GB000F110000000	SEAT	座垫	1					
19	3	YS000G200000000	REFLECTORS	反光片	1	3.1	YS000G270000000	FRONT REFLECTORS (AMBER)	圆形反光片	2
20						3.2	YS000G270000001	REAR REFLECTORS (RED)	圆形反光片	2
21						3.3	YS000G270000002	REAR REFLECTORS (RED)	方形反光片	1

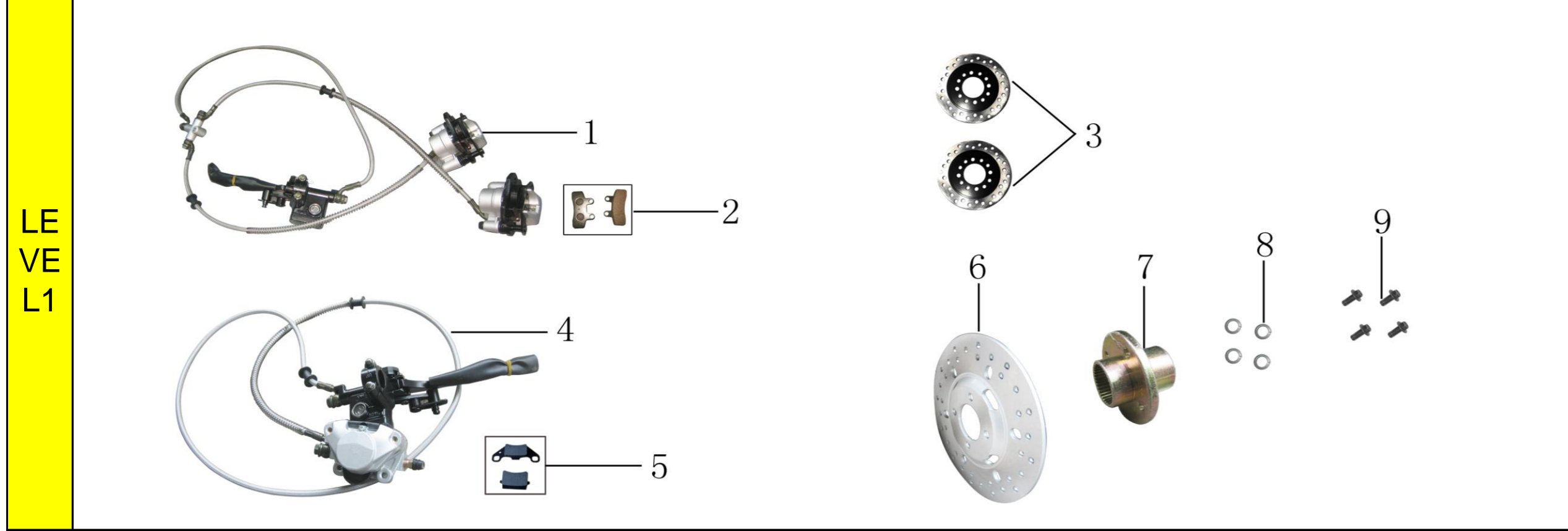
9.WHEEL COMPLETE



LE VE L1	1	4	5
	8		

REF NO.	level 1 NO.	PART NO.	DESCRIPTION	REMARK	QTY	level 2 NO.	PART NO.	DESCRIPTION	REMARK	QTY
1	1	GB000M600000005	FRONT WHEEL COMPLETE	前轮组件	2	1.1	GB000M710000000	TIRE(23x7-10)	真空胎	1
2						1.2	GB000M600000000	RIM	辐板轮	1
3						1.3	SB000M740000000	CYCLE VALVE	气门嘴	1
4						1.4	SB000M750000000	CYCLE VALVE CAP	气门嘴帽	1
5	2	GB000M850000001	FRONT DETENT FIXATION	前盘式制动器固定座	2					
7	3	G177M10D08ZS0	NUT M10	六角法兰面螺母	8					
9	4	GB000P410000000	REAR WHEEL ASSEMBLE PARTS	安装前轮紧固件组件	2	4.1	YS000M670000002	WHEEL DUSTPROOF COVER	轮子防尘盖	1
10						4.2	G181M14E08ZG0	BOLT M14	六角开槽螺母	1
11						4.3	GB91D004L040ZS0	COTTER PIN d4*40	开口销	1
12						4.4	SA000M670000000	WHEEL DUSTPROOF COVER	轮子防尘套	1
14	5	GB000M600000006	REAR WHEEL COMPLETE	后轮组件	2	5.1	GB000M710000001	TIRE(22x10-10)	真空胎	1
15						5.2	GB000M600000002	RIM	辐板轮	1
16						5.3	SB000M740000000	CYCLE VALVE	气门嘴	1
17						5.4	SB000M750000000	CYCLE VALVE CAP	气门嘴帽	1
18	6	GB000M650000000	REAR FLANGE	后轮毂法兰	2					
17	7	G587M10L20E88ZS0	BOLT M10*20	六角法兰面螺栓B级	8					
18	8	GB000P410000001	REAR WHEEL ASSEMBLE PARTS	安装后轮紧固件组件	2	8.1	Q051M20D48H03ZS0	WASHER d20	平垫圈	1
19						8.2	YS000M670000002	WHEEL DUSTPROOF COVER	轮子防尘盖	1
20						8.3	G181M14E08ZG0	BOLT M14	六角开槽螺母	1
21						8.4	GB91D004L040ZS0	COTTER PIN d4*40	开口销	1
22						8.5	SA000M670000000	WHEEL DUSTPROOF COVER	轮子防尘套	1

10.HYDRAULIC BRAKE



REF NO.	level 1 NO.	PART NO.	DESCRIPTION	REMARK	QTY	level 2 NO.	PART NO.	DESCRIPTION	REMARK	QTY
1	1	GB000M800000001	FRONT CALIPER	前盘式制动器	2					
2	2	TE000M810000000	FRONT BREAK PADS	前制动器蹄块	1					
3	3	SL000M800000001	FRONT ROTOR	前制动盘	2					
4	4	GB000M800000002	REAR CALIPER	后盘式制动器	1					
5	5	YF000M810000000	REAR BRAKE PADS	后制动器蹄块	1					
6	6	GB000M800000000	REAR ROTOR	后制动盘	1					
7	7	GB000M850000000	ROTOR FLANGE	后制动盘法兰	1					
10	8	G587M08L16D88ZS0	WASHER d8	弹簧垫圈	4					
11	9	G859M08S16B25000	BOLT M8*16	六角法兰面螺栓B级	4					